

Nimbus D



Nimbus D		65		95		125		175	
Rated power at 10° C	[W]	30	50	40	60	50	75	80	100
External profile temp. (approx.)	[°C]	130	205	135	205	160	190	190	200
Voltage range		110 - 240 V, AC/DC							
Protection class		II							
System of protection		IP 20							
Connection wires 2 x 0,5 mm ² , silicone		500 mm long							
Fixing		DIN Clip for 35 mm rail EN50022							
Approvals		VDE, UL, CSA, CE (in preparation)							
Dimensions	LxWxH [mm]	65x70,7x24		95x70,7x24		125x70,7x24		175x70,7x24	
Weight	[kg]	0,13	0,14	0,18	0,19	0,23	0,24	0,33	0,34
Recommended fuse (time-delay)	240 V	4A	6,3A	4A	6,3A	4A	6,3A	6,3A	6,3A
	110 V	2A	4A	2A	4A	2A	4A	4A	6,3A

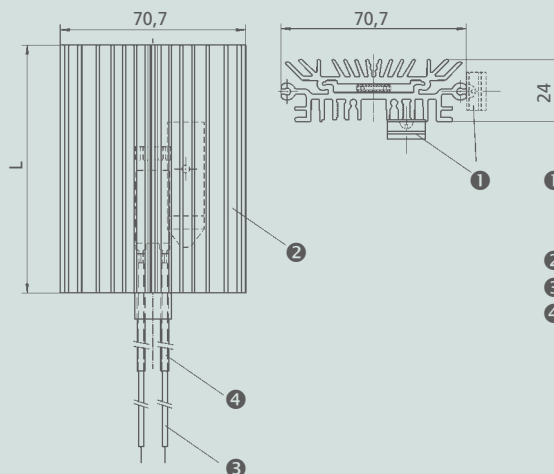
Ordering Example: Nimbus D 95, 40 W, 110-240 V
Special design 12 - 24V.

Special Features

- Rugged aluminium extrusion profile
- Compact design with high power density
- Self-regulating PTC-Technology
- Safety by temperature limitation
- Fixing clip can be mounted either at the wide side or at the narrow side (see position 1 on the drawing)

Optional

- Connection cable
2 x 0,75 mm², Silicone



- 1 Fixing clip for 35 mm DIN top hat rail EN50 022
- 2 Aluminium profile
- 3 Silicon wire 0,5 mm²
- 4 glass silk tube

Data is given for illustration purposes only and does not release the customer from independent application tests.