

Nimbus C

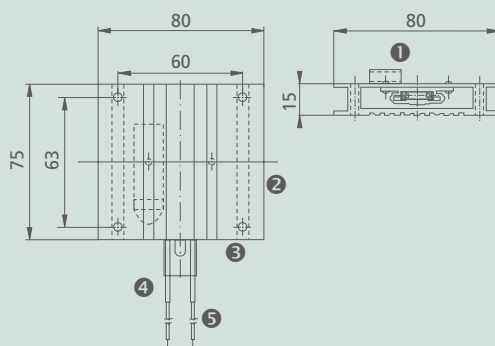


Nimbus C		75		
Rated power at 10° C (free in air)	[W]	20	30	40
Profile temperature (approx.)	[°C]	90	120	150
Voltage range		110 - 240 V, AC/DC		
Protection class		II		
System of protection		IP20		
Connection wires 2 x 0,5 mm ² , silicone		600 mm long		
Fixing		DIN Clip for 35 mm rail EN50 022		
Approvals		VDE, UL, CSA, CE (in preparation)		
Dimensions	LxWxH [mm]	75x80x15		
Weight	[kg]	0,29		
Recommended fuse (time delay)	240 V	4 A	4 A	4 A
	110 V	2 A	2 A	2 A

Ordering Example: Nimbus C75, 30 W, 110-240 V
Special design 12 - 24V.

Special Features

- Good convection
- High thermal radiation
- Flat design



- 1 Fixing clip for 35 mm DIN top hat rail EN50 022
- 2 Aluminium profile
- 3 Fixing holes Ø 4,6
- 4 Glass silk tube
- 5 Silicone wire 0,5 mm²

Data is given for illustration purposes only and does not release the customer from independent application tests.