

Cirrus 80



Cirrus 80			
Nominal Power output	at 10°C	300 / 600 W	450 / 800 W
Recommended fuse	at 115V / 230 V	5	6
Time delay	Amps		
Fan volumetric flow, approximate	(m ³ /hr)	35	35
Fan lifetime	at 40°C L10, hours	52,200	52,200
Nominal Input voltage		115 V / 230 VAC	115 V / 230 VAC
Dimensions (mm)	cross section	82 x 110	82 x 110
	length	150	150
Weight (kg)		0.785	0.785
Finger guards	inlet and outlet	Y	Y

Ordering Example:

Type	Power	Heater Voltage	DIN clip	Filter
			1 / 0	1 / 0
C 80	600 W	230 V	1	1

Order Code Example: C80 – 600 W – 230 V – 1 – 1

Features:

- High power to size ratio
- Lightweight
- Easy to fit
- Screw terminals for easy wiring
- Dual power feature
- Independent fan circuit to aid climate cooling

Options:

- Filter Assembly*
- Fixing – 35 mm DIN Clip



* Typical power reduction of 10% when 30 PPI filter fixed. Data is given for illustration purposes only and does not release the customer from independent application tests.

DBK Technitherm Ltd.

Components

Unit 11, Llantrisant Business Park
Llantrisant
Rhondda Cynon Taff, CF72 8LF
Wales, United Kingdom

Phone:
General +44 (0) 14 43 23 79 27
Sales +44 (0) 87 08 72 04 81
Fax: +44 (0) 14 43 23 78 67

General: info@dbkt.co.uk
Sales: sales@dbkt.co.uk
Technical: technical@dbkt.co.uk

Cirrus 25



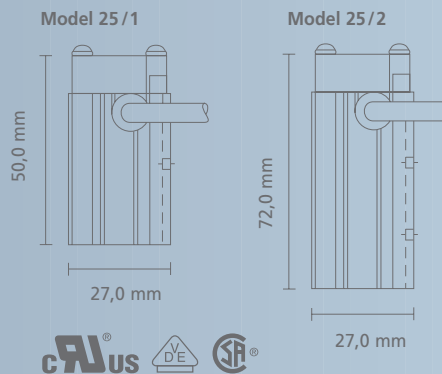
Cirrus 25	25 / 1						25 / 2							
	5 W		10 W		20 W		10 W		20 W		30 W		40 W	
Nominal Power Output at 10°C, 12 V or 230 V*	5 W		10 W		20 W		10 W		20 W		30 W		40 W	
Rated fan current (amps) at 12 V	0.04		0.04		0.04		0.04		0.04		0.04		0.04	
Recommended fuse at 12 V/24 V	4		4		4		4		4		4		6	
Time delay (Amps) at 115 / 230 V	n/a		n/a		n/a		n/a		2		2		2	
Fan volumetric flow at zero static pressure (m³/hr)	5.1		5.1		5.1		5.1		5.1		5.1		5.1	
Fan lifetime at 40°C, L 10 hours	120,000		120,000		120,000		120,000		120,000		120,000		120,000	
Fan operating temperature C°	-10 to +70		-10 to +70		-10 to +70		-10 to +70		-10 to +70		-10 to +70		-10 to +70	
Input Voltage (V) fan DC heater	12	24	12	24	12	24	n/a	24	12	n/a	12	24	12	24
	12	24	12	24	12	24	n/a	24	12	n/a	12	24	12	24
									115/230		115/230		115/230	
Dimensions (mm) cross section	26 x 27		26 x 27		26 x 27		26 x 27		26 x 27		26 x 27		26 x 27	
length of profile and fan	50		50		50		72		72		72		72	
Weight (kg)	0.06		0.06		0.06		0.09		0.09		0.09		0.09	
Protection Type	IP 20		IP 20		IP 20		IP 20		IP 20		IP 20		IP 20	
Cable length (mm)	600		600		600		600		600		600		600	
Outlet Finger Guard (High Voltage supply)	n/a		n/a		n/a		n/a		Y		Y		Y	
Outlet Finger Guard (Low Voltage supply)	Option		Option		Option		Option		Option		Option		Option	

When specifying 12V fan, select either ac or dc operation. For 24V fan operation ac or dc can be applied.* Other power outputs available on request.

Ordering Example:

Type	Size	Power	Fan input	AC / DC	Heater Voltage	Finger guard outlet		DIN clip
						1 / 0	1 / 0	
C25	2	30 W	12 V	DC	24 V	0	1	1

Order Code Example: C25 / 2 – 30 W – 12 V – DC – 24 V – 0 – 1



Features:

- High power to size ratio
- Lightweight
- Easy to fit
- pre-wired
- Independent fan circuit to aid climate cooling

Options:

- Finger guard at outlet
- Smartcon®- Cable to allow AC fan supply and/or 24 V fan supply
- Fixings – DIN clip

DBK Technitherm Ltd.

Components

Unit 11, Llantrisant Business Park
Llantrisant
Rhondda Cynon Taff, CF72 8LF
Wales, United Kingdom

Phone:
General + 44 (0) 1443 23 7927
Sales + 44 (0) 87 08 72 0481
Fax: + 44 (0) 14 43 23 78 67

General: info@dbkt.co.uk
Sales: sales@dbkt.co.uk
Technical: technical@dbkt.co.uk

Cirrus 40



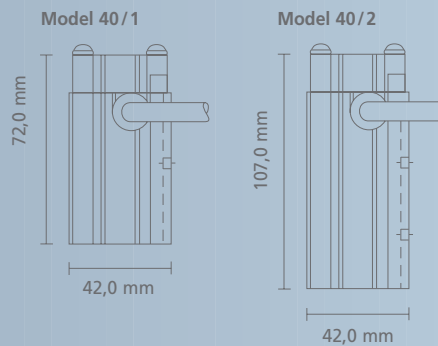
Cirrus 40	40 / 1				40 / 2			
	50 W	60 W	80 W	100 W	125 W	150 W	200 W	230 W
Nominal Power Output at 10°C, 12 V or 230 V**	50 W	60 W	80 W	100 W	125 W	150 W	200 W	230 W
Rated fan current (amps) at 12 V	0.95	0.95	0.95	0.95	0.95	0.95	0.95	0.165
Recommended fuse at 12 V / 24 V	6	6	n/a	n/a	n/a	n/a	n/a	n/a
Time delay (Amps) at 115 / 230 V	2	2	2	4	4	4	4	4
Fan volumetric flow at zero static pressure (m ³ /hr)	12.4	12.4	12.4	12.4	12.4	12.4	12.4	17
Fan lifetime at 40°C, L 10 hours	120,000	120,000	120,000	120,000	120,000	120,000	120,000	50,000
Fan operating temperature °C	-10 to +70	-10 to +70	-10 to +70	-10 to +70	-10 to +70	-10 to +70	-10 to +70	-20 to +60
Input Voltage (V) fan DC heater	12	24	12	24	12	24	12	24
	12	24	12	24	n/a	n/a	n/a	n/a
	115 / 230	115 / 230	115 / 230	115 / 230	115 / 230	115 / 230	115 / 230	115 / 230
Dimensions (mm) cross section length of profile and fan	42 x 42	42 x 42	42 x 42	42 x 42	42 x 42	42 x 42	42 x 42	42 x 42
	72	72	72	72	107	107	107	117
Weight (kg)	0.175	0.175	0.175	0.175	0.260	0.260	0.260	0.275
Protection Type	IP 20	IP 20	IP 20	IP 20	IP 20	IP 20	IP 20	IP 20
Cable length (mm)	600	600	600	600	600	600	600	600
Outlet Finger Guard (High Voltage supply)	Y	Y	Y	Y	Y	Y	Y	Y
Outlet Finger Guard (Low Voltage supply)	Option	Option	Option	Option	n/a	n/a	n/a	n/a

When specifying 12V fan, select either ac or dc operation. For 24V fan operation ac or dc can be applied. *Typical power reduction of 25% when filter fixed.** Other power outputs available on request.

Ordering Example:

Type	Size	Power	Fan input		AC/DC	Heater Voltage	Finger guard		DIN clip	Filter
			12 / 24				outlet / 1/0	inlet / 1/0		
C40	2	125 W	24 V		AC	240 V	1	0	1	1

Order Code Example: C40 / 2 – 125 W – 24 V – AC – 240 V – 1 – 0 – 1 – 1



Features:

- High power to size ratio
- Lightweight
- Easy to fit
- pre-wired
- Independent fan circuit to aid climate cooling

Options:

- Finger guard on either end
- Filter Assembly*
- Smartcon®- Cable to allow AC fan supply and/or 24V fan supply
- Fixings – DIN clip

DBK Technitherm Ltd.

Components

Unit 11, Llantrisant Business Park
Llantrisant
Rhondda Cynon Taff, CF72 8LF
Wales, United Kingdom

Phone:
General +44 (0) 14 43 23 7927
Sales +44 (0) 87 08 72 0481
Fax: +44 (0) 14 43 23 78 67

General: info@dbkt.co.uk
Sales: sales@dbkt.co.uk
Technical: technical@dbkt.co.uk